



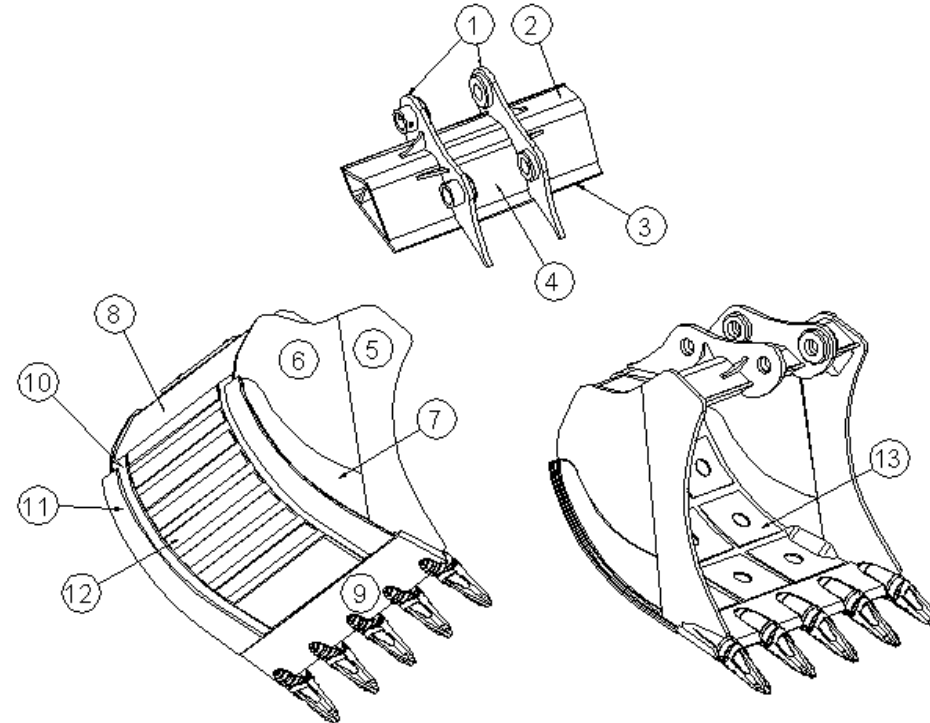
# NG ATTACHMENTS-NUR GROUP

## TECHNICAL SPECIFICATION

MACHINE MODEL	NG BUCKET 50-65 TON
SERIES	NG 50-60 SERIES
SPECIFICATION	HEAVY DUTY



MATERIAL COMPOSITION				
No	Description	Material	Thickness (mm)	Explanation
1	HINGE PLATE	S355 JR	50	ARCELOR
2	HINGE SIDE RL-LH	S355 JR	30	ARCELOR
3	HINGE BOTTOM	S355 JR	30	ARCELOR
4	HINGE CENTER PLATE	S355 JR	30	ARCELOR
5	VERTICAL EDGE	HARDOX 450	45	SSAB
6	SIDE PLATE	HARDOX 450	15	SSAB
7	L.SIDE PROTECTION	HARDOX 450	40	SSAB
8	BODY	HARDOX 450	15	SSAB
9	EDGE	HARDOX 450	70	SSAB
10	WEAR STRIPS	HARDOX 450	15	SSAB
11	WEAR STRIPS	HARDOX 450	20	SSAB
12	WEAR STRIPS	HARDOX 450	20	SSAB
13	WEAR STRIPS	HARDOX 450	10	SSAB
14	ADAPTOR	OPTIONAL TYPE		
15	TEETH			
16	LOCK			



## Model Specification

NG-50-60 L:1800

Edge Length (mm)	1800
Capacity SAE (m <sup>3</sup> )	4
Weight (kg)	3230
Nr Teeth	6
Cargo Ready	2 Week

[WWW.NGATTACHMENTS.COM](http://WWW.NGATTACHMENTS.COM)