



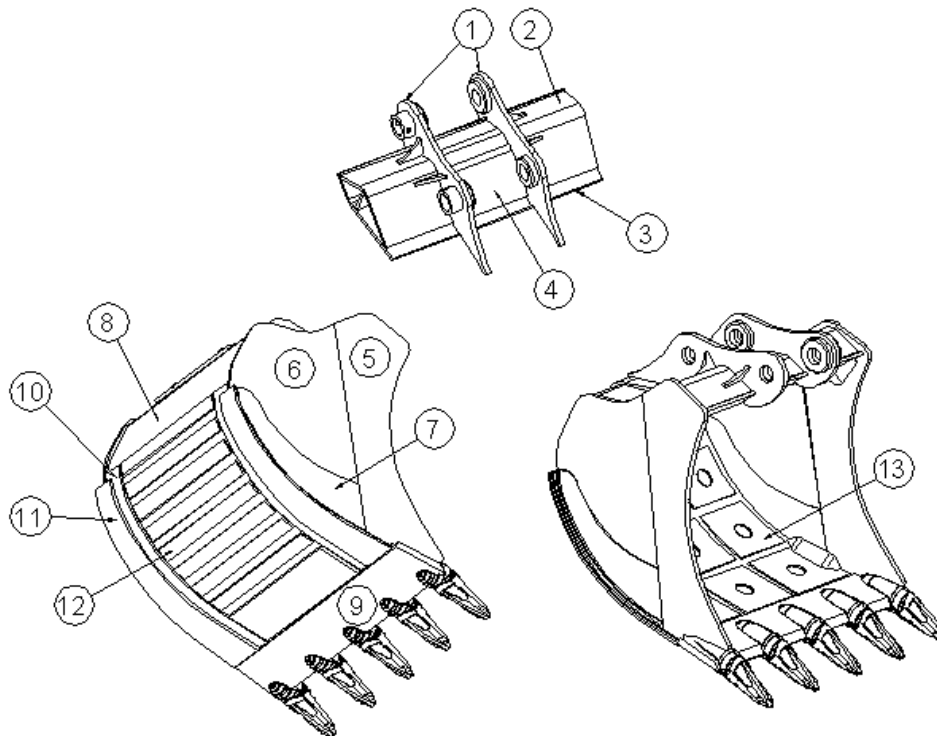
# NG ATTACHMENTS-NUR GROUP

## BUCKET SPECIFICATION

MACHINE MODEL	NG BUCKET 40 -46 T
SERIES	NG 40 T Series
SPECIFICATION	HEAVY DUTY



MATERIAL COMPOSITION				
No	Description	Material	Thickness (mm)	Explanation
1	HINGE PLATE	S355JR2	40	ARCELOR
2	HINGE SIDE RL-LH	S355JR2	25	ARCELOR
3	HINGE BOTTOM	S355JR2	25	ARCELOR
4	HINGE CENTER PLATE	S355JR2	25	ARCELOR
5	VERTICAL EDGE	HARDOX 450	40	SSAB
6	SIDE PLATE	S355JR2	18	SSAB
7	L.SIDE PROTECTION	HARDOX 450	35	SSAB
8	BODY	HARDOX 450	12	SSAB
9	EDGE	HARDOX 450	60	SSAB
10	WEAR STRIPS	HARDOX 450	15	SSAB
11	WEAR STRIPS	HARDOX 450	15	SSAB
12	WEAR STRIPS	HARDOX 450	15	SSAB
13	WEAR STRIPS	HARDOX 450	10	SSAB
14	ADAPTOR	OPTIONAL TYPE		
15	TEETH			
16	LOCK			



## Model Specification

	NG 40-46 T L:1900	NG 40-46 T L:1700	NG 40-46 T L:1600	NG 40-46 T L:1500
Edge Length (mm)	1900	1700	1600	1500
Capacity SAE (m <sup>3</sup> )	3,0	2,6	2,4	2,2
Weight (kg)	2050	1915	1840	1770
Teeth	5	5	5	5