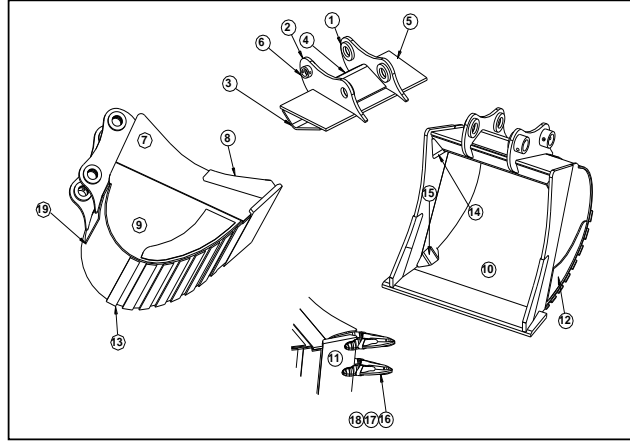


MACHINE MODEL	NG BUCKET 12-14 T
SERIES	NG 12-14 T SERIES BUCKET
SPECIFICATION	HEAVY DUTY



MATERIAL COMPOSITION				
No	Description	Material	Thickness (mm)	Explanation
1	BOSS X	Ç 1040	13	
2	HINGE PLATE	S355J2	20	ARCELOR
3	HINGE BOTTOM BOX	S355J2	18	ARCELOR
4	HINGE CENTER PLATE	S355J2	18	ARCELOR
5	HINGE BOTTOM	S355J2	10	ARCELOR
6	BOSS Y	Ç 1040	55	
7	VERTICAL EDGE	S355J2	25	ARCELOR
8	LOWER VERTICAL EDGE	HARDOX 450	35	SSAB
9	SIDE WALL L-R	S355J2	35	ARCELOR
10	BODY BOTTOM	S355J2	10	ARCELOR
11	EDGE	HARDOX 450	35	SSAB
12	SIDE PROTECTION	HARDOX 450	8	SSAB
13	WEAR STRIPS	HARDOX 450	10	SSAB
14	REINFORCEMENT	S355J2	10	ARCELOR
15	REINFORCEMENT	S355J2	10	ARCELOR
16	TOOTH	OPTIONAL		
17	ADAPTER			
18	LOCK			
19	REINFORCEMENT	S355J2	10	ARCELOR



Model Specification

	NG 12-14 T L:700	NG 12-14 T L:800	NG 12-14 T L:900
Edge Length (mm)	700	800	900
Capacity SAE (m³)	0,50	0,65	0,75
Weight (kg)	520	550	570
Teeth	3	4	4

WITHOUT ADAPTOR & TOOTH & SEGMENTS